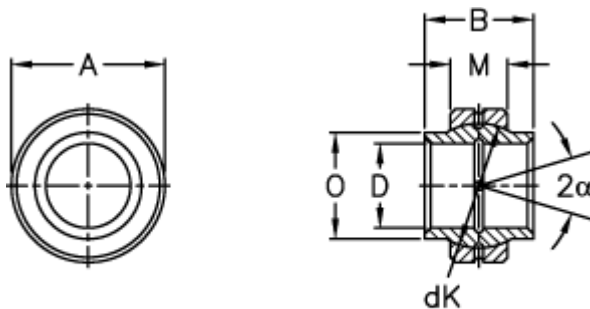


Article number: 03504125

Description: Fluro Rod end GE 125LO

## Measures



Str. 12 den smørerille

A	= 180 0 -0,025	Tilt angle = 4
B	= 125	Weight = 8100
D	= 125 0 +0,040	
dK	= 160	
Dynamic load C (kN)	= 950	
M	= 70	
O	= 138	
Static load C0 (kN)	= 4750	